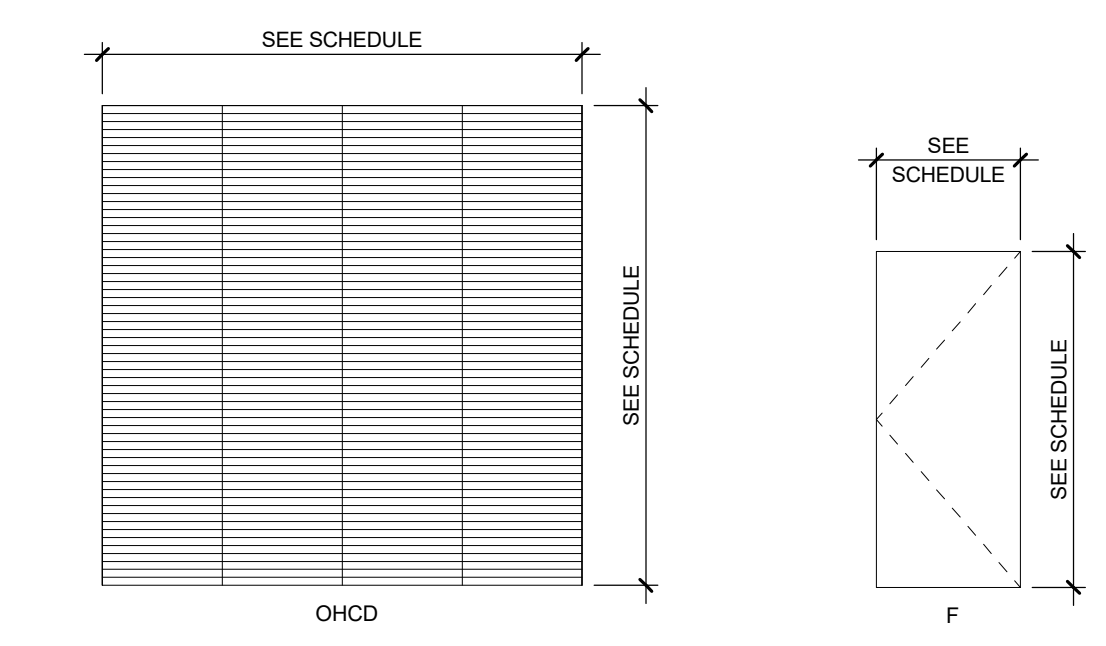


NO.	LOCATION	DOOR PANEL			DOOR										FRAME			LABEL	HDW	NOTES	
		QTY	W	H	T	TYPE	MATERIAL	EXT FINISH	INT FINISH	GLASS	TYPE	MATERIAL	EXT FINISH	INT FINISH	HEAD	JAMB					
333.1	STUDENT COMMONS	1	12'-0"	7'-9"	REF. MGF.	OHCD	ST	GALVANIZED TAN	GALVANIZED TAN	--	--	ST				3/A502	J-2	90 MIN			
333.2	STUDENT COMMONS	1	6'-8 1/2"	3'-6"	REF. MGF.	OHCD	ST	GALVANIZED TAN	GALVANIZED TAN	--	--	ST				2/A502	J-3	90 MIN			
333.3	STUDENT COMMONS	1	3'-0"	7'-0"	0'-1 3/4"	F	HM	P3	P3	--	--	S1	HM			1-1	J-1	45 MIN			1
333.4	STUDENT COMMONS	1	12'-0"	7'-9"	REF. MGF.	OHCD	ST	GALVANIZED TAN	GALVANIZED TAN	--	--	ST				3/A502	J-2	90 MIN			
333.5	STUDENT COMMONS	1	10'-9"	3'-6"	REF. MGF.	OHCD	ST	GALVANIZED TAN	GALVANIZED TAN	--	--	ST				5/A501	J-3	90 MIN			
333.6	STUDENT COMMONS	1	3'-0"	7'-0"	0'-1 3/4"	F	HM	P3	P3	--	--	S1	HM			P3	P3	H-1	J-1	45 MIN	1

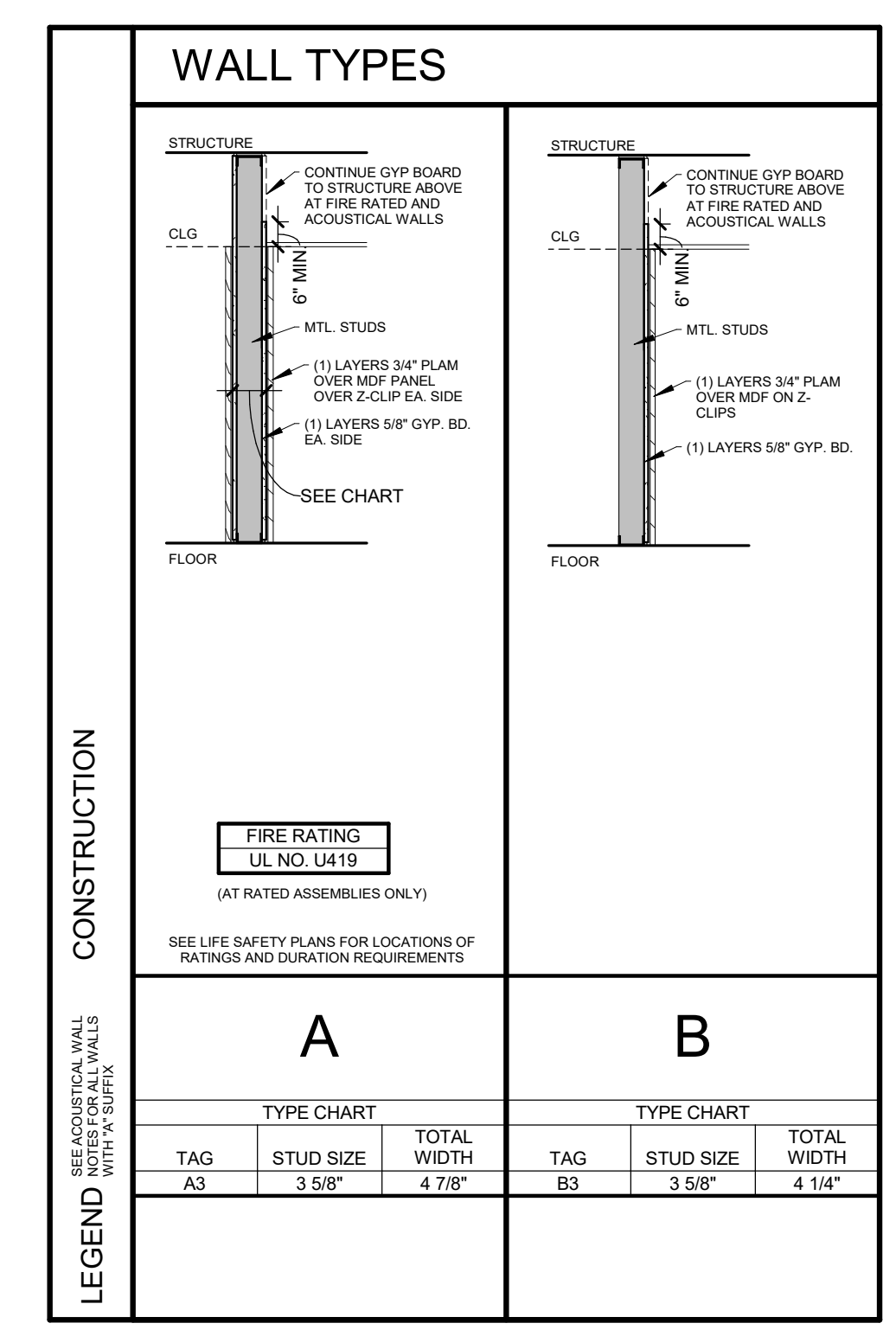


DOOR TYPES
 SCALE: 1/4" = 1'-0"

DESIGNATION DESCRIPTIONS
 F OHCD FLUSH OVERHEAD COILING DOOR

DESIGNATION DESCRIPTIONS
 S SINGLE

FRAME TYPES
 SCALE: 1/4" = 1'-0"



WALL TYPE NOTES

- WALL TAG WITH "A" SUFFIX INDICATES ACOUSTICAL WALL. SEE ACOUSTICAL WALL NOTES BELOW.
- PROVIDE DEFLECTION TRACKS OR CLIPS FOR ALL PARTITIONS ABUTTING STRUCTURE ABOVE.
- EXTEND RATED PARTITIONS THROUGH THE INTERIOR FACE OF EXTERIOR WALL GYPSUM BOARD AND SEAL TO THE INSIDE FACE OF THE EXTERIOR BUILDING WALL SHEATHING.
- INTERIOR METAL STUD PARTITIONS ARE DIMENSIONED FROM FACE OF GYPSUM BOARD OR TILE BACKER BOARD.
- MAINTAIN THE FIRE-PROTECTION RATINGS FOR ALL OPENINGS IN RATED PARTITIONS.
- WHERE THICKNESS VARIES BETWEEN TWO PARTITIONS IN AN UNINTERRUPTED CONTINUOUS WALL PLANE - OFFSET STUDS AND ALIGN FACE OF PARTITIONS.
- METAL STUD FRAMING: MIN. 16 GAGE @ 16" O.C. U.N.O.
- UL DESIGN NUMBERS REFER TO THE UNDERWRITERS LABORATORIES FIRE RESISTANCE DIRECTORY - LATEST EDITION.
- FIRE RATED PARTITIONS SHALL HAVE FIRESTOP SEALANT AT THE HEAD, SILL, THROUGH PENETRATIONS, OPENINGS AND JUNCTURES WITH DISSIMILAR MATERIALS.
- BEHIND WALL TILE PROVIDE 5/8" CEMENT BOARD IN LIEU OF GYP. BOARD. HOLD TOP OF CEMENT BOARD 1/2" BELOW TOP OF TILE.
- PROVIDE BULLNOSE CML AT ALL EXPOSED OUTSIDE CORNERS.
- EXTEND ALL WALLS TIGHT TO DECK ABOVE UNLESS NOTED OR DETAILED OTHERWISE.
- ALL RECESSED DEVICES SHALL BE OFF-SET BY MINIMUM OF ONE STUD CAVITY. DO NOT INSTALL BACK TO BACK OR WITHIN SAME STUD CAVITY.
- PROVIDE BLOCKING IN WALL REQ'D TO SUPPORT BUILT-IN ITEMS, FIXTURES, MILLWORK, AND OTHER WALL SUPPORTED ITEMS.
- SEE LIFE SAFETY PLANS FOR LOCATION AND DURATION OF RATED ASSEMBLIES.
- PROVIDE ABUSE RESISTANT GYP. BOARD FROM FLOOR TO 8'-0" AFF IN LIEU OF TYPICAL GYP. BOARD ON WALLS WITHIN CORRIDORS AND STUDENT COMMONS.
- CONSTRUCT ALL CORRIDOR WALLS TO RESIST THE PASSAGE OF SMOKE. I.E., TO BE SMOKE TIGHT.

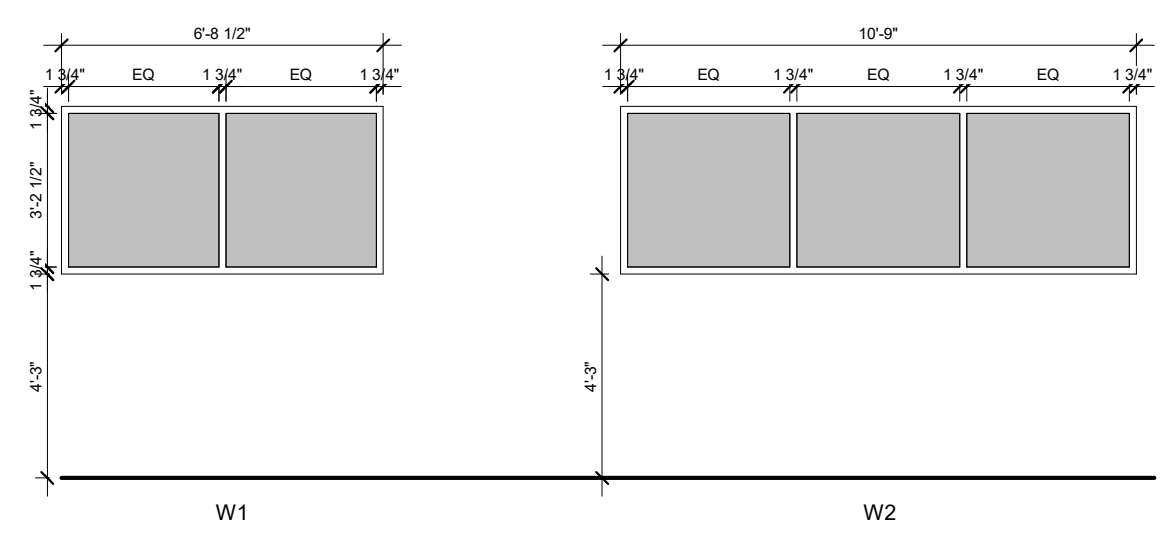
WALL TYPE LEGEND

STUD SIZE "x" LOCATION OF TAG INDICATES SIDE OF WALL W/ GYPSUM BOARD OR PARTITION "x" SIDE OF WALL WITH MULTIPLE LAYERS OF GYPSUM BOARD

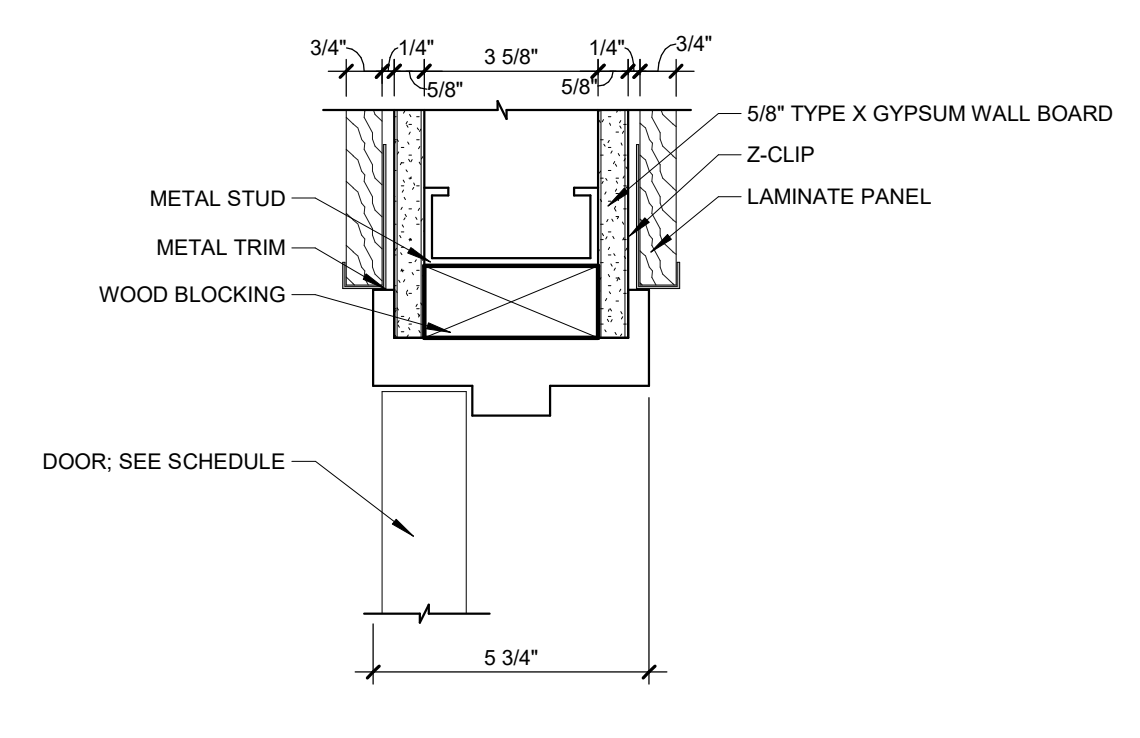
FIRE AND SMOKE RATED WALL IDENTIFICATION

- ALL RATED FIRE WALLS, FIRE BARRIERS, FIRE PARTITIONS, SMOKE BARRIERS AND SMOKE PARTITIONS OR ANY OTHER WALL REQUIRED TO HAVE PROTECTED OPENINGS OR PENETRATIONS SHALL HAVE RED PAINTED STENCIL LETTERS (3" TALL MIN. WITH 3/8" WIDE STROKE) READING SPECIFIC RATINGS (I.E., 1-HOUR FIRE BARRIER) APPLIED TO WALL AROUND INTERIOR PERIMETER OF THE ROOM. EACH SIDE OF WALL, AND LOCATED ABOVE ACCESSIBLE CEILINGS. STENCIL TO BE SPACED A MAX. OF 12'-0" APART, BUT NO LESS THAN TWICE PER WALL FOR WALLS LONGER THAN 8'-0" IN LENGTH, AT LEAST ONCE FOR WALLS LESS THAN 8'-0" LONG, AND NO MORE THAN 8'-0" FROM WALL BEGINNING AND END, EXCEPT WHERE TOP OF WALL EXPOSED TO VIEW.

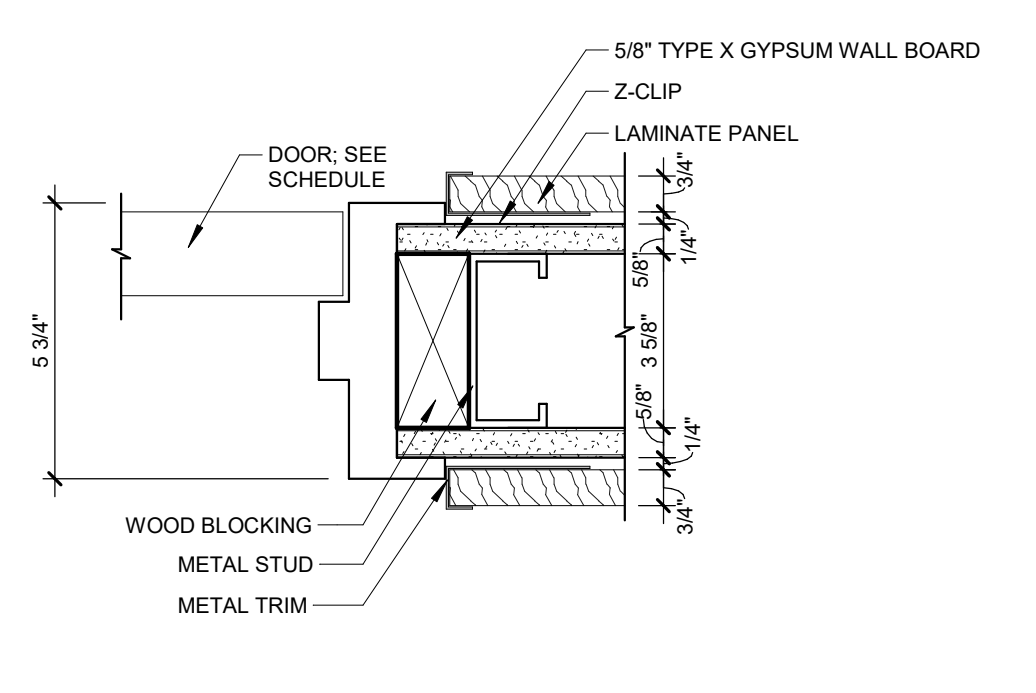
WINDOW	LOCATION	QTY	TYPE	HEAD HEIGHT	W	H	GLASS TYPE
W1	STUDENT COMMONS	1	W1	7'-9"	6'-8 1/2"	3'-6"	TEMP
W2	STUDENT COMMONS	1	W2	7'-9"	10'-9"	3'-6"	TEMP



WINDOW TYPES
 SCALE: 1/4" = 1'-0"



H-1 TYP. DOOR HEAD
 SCALE: 3/8" = 1'-0"



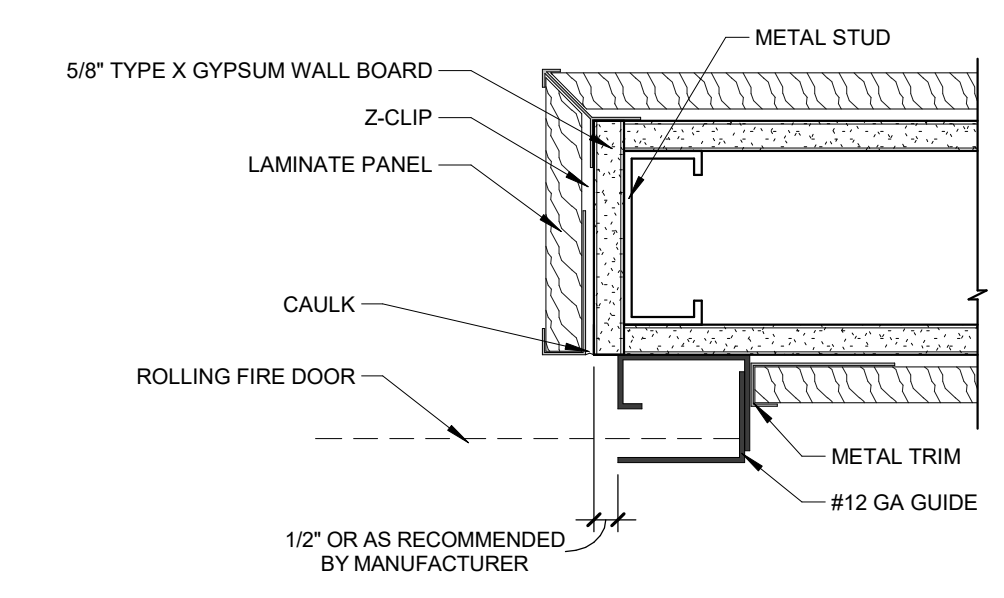
J-1 TYP. DOOR JAMB
 SCALE: 3/8" = 1'-0"

ACOUSTICAL WALL NOTES (WALLS INDICATED WITH "A" SUFFIX)

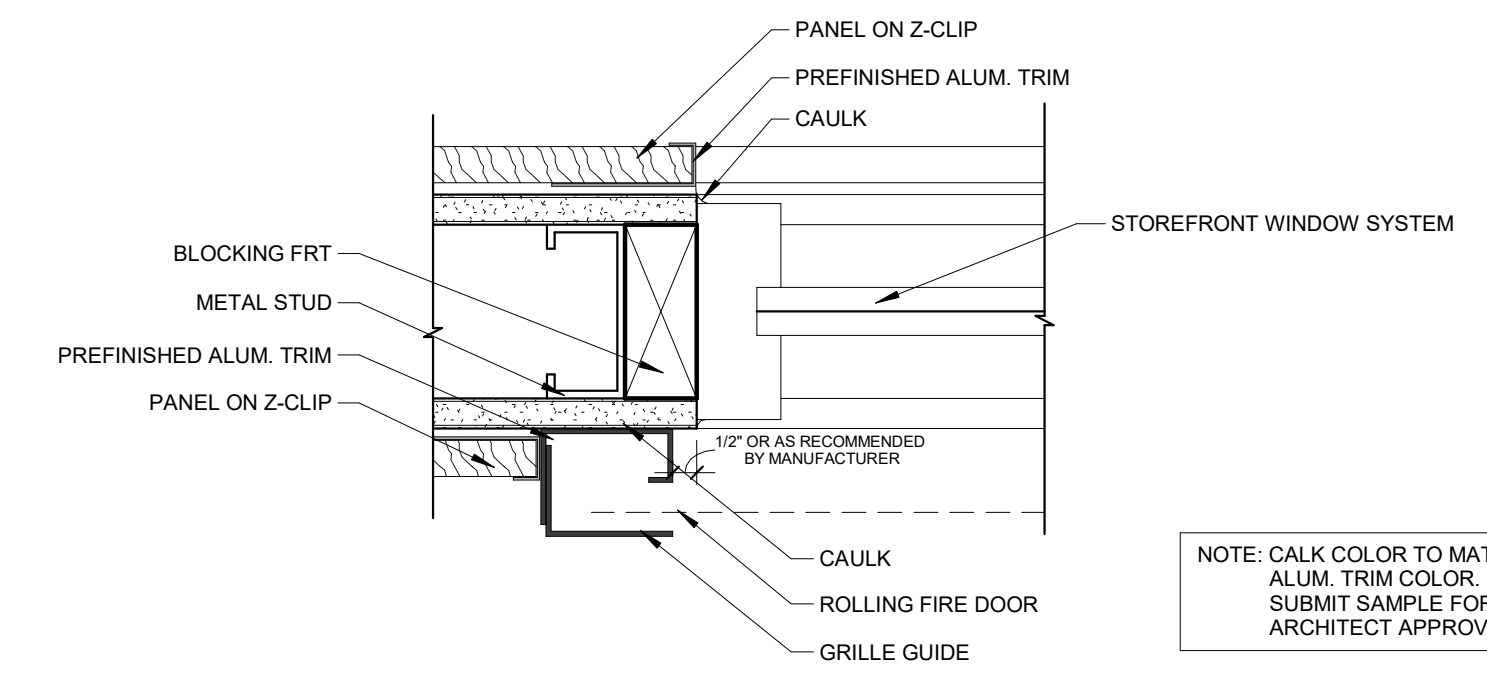
- INSULATION IN STUD CAVITY SHALL COMPLETELY FILL THE CAVITY WITHOUT OVER COMPRESSION.
- CUT THE GYPSUM BOARD WALL HEAD TO MATCH THE METAL DECK PROFILE AND FILL THE VOIDS WITH BATT INSULATION.
- NON-RATED PARTITIONS SHALL HAVE ACOUSTICAL SEALANT AT THE HEAD, SILL, THROUGH PENETRATIONS, OPENINGS AND JUNCTURES WITH DISSIMILAR MATERIALS.

DEFLECTION TRACK
 SCALE: 3/8" = 1'-0"

- MULTIPLE LAYERED GYP. BOARD PARTITIONS ARE DETAILED SIMILAR PROVIDE UL LISTED HEAD OF WALL ASSEMBLY AT FIRE RATED WALLS.



J-2 TYP. OVERHEAD DOOR JAMB
 SCALE: 3/8" = 1'-0"



J-3 TYP. JAMB @ OVERHEAD DOOR & WINDOW
 SCALE: 3/8" = 1'-0"

